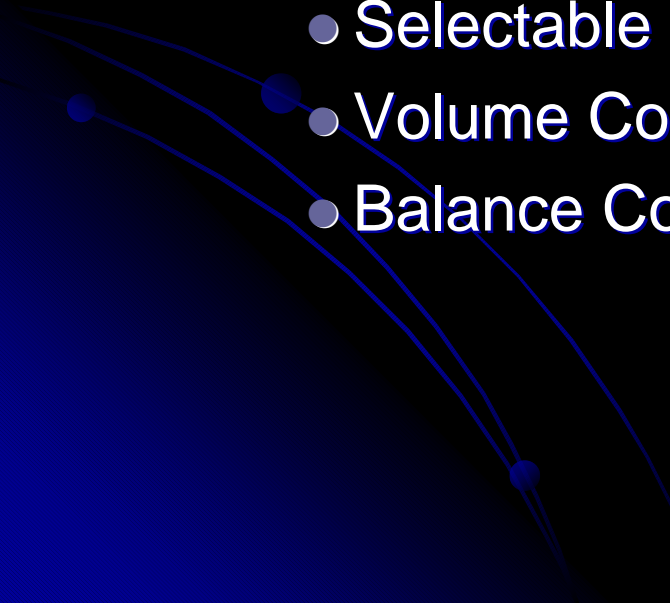


Musical Keyboard

Roger Grayson
Tony Undercoffer

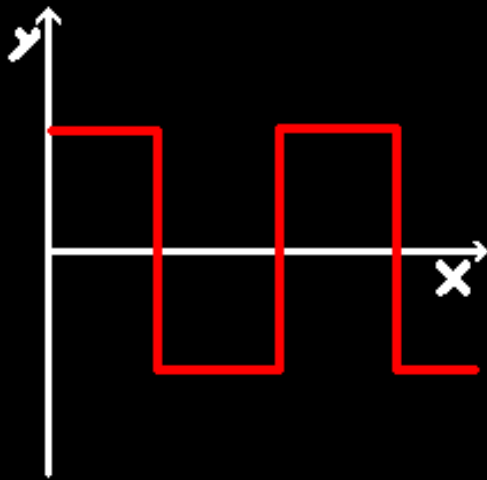


We built a digital circuit which...

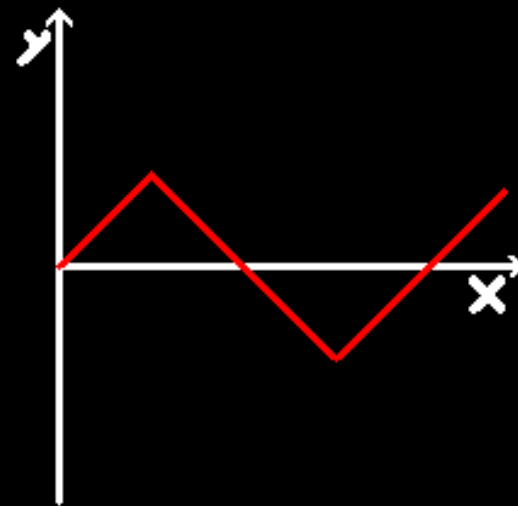
- Acts like a piano.
 - Features
 - Outputs a different frequency for each key pressed (Q-I, A-K, Z-N)
 - Selectable Square or Triangular Wave
 - Volume Control
 - Balance Control
- 

Sound Info

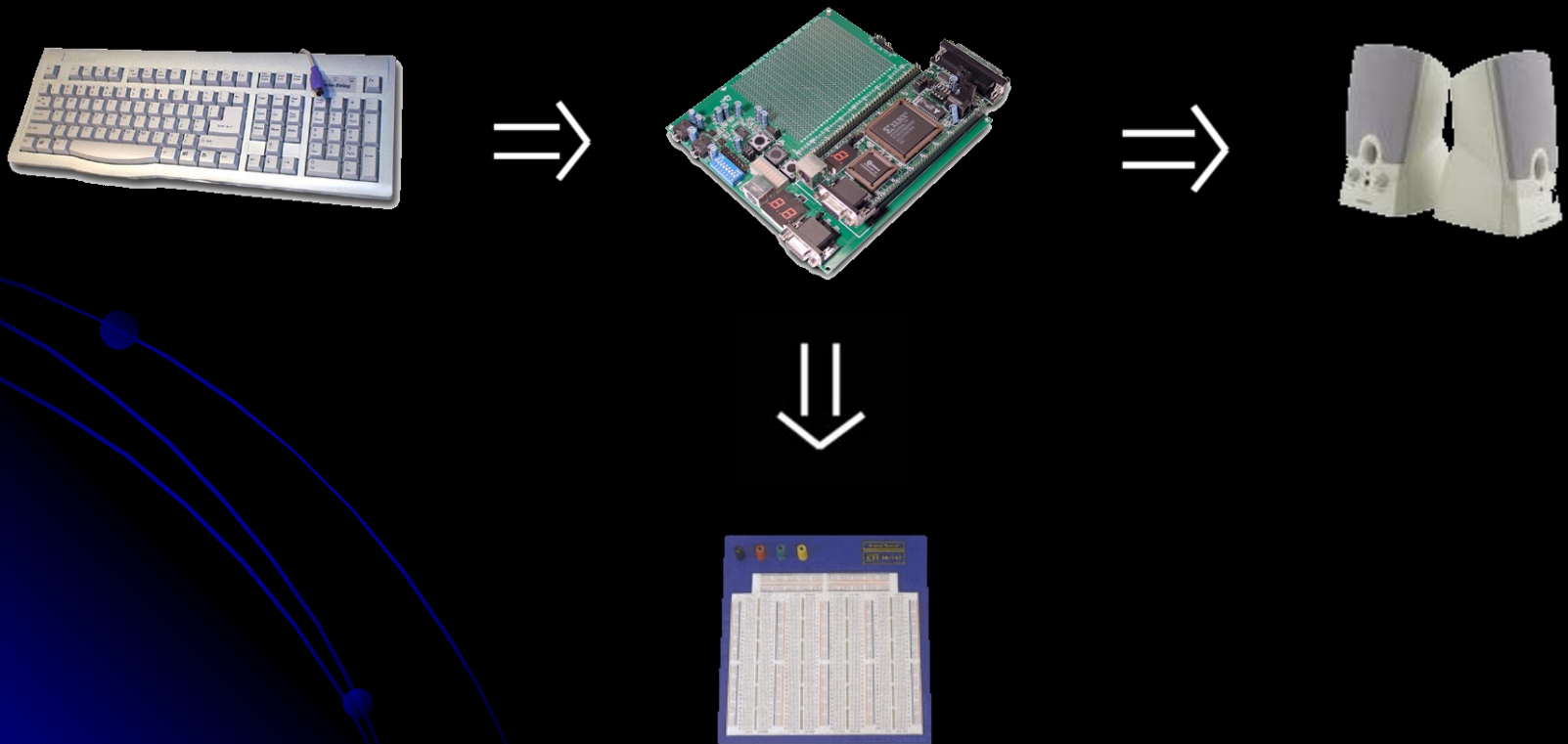
- Square Wave



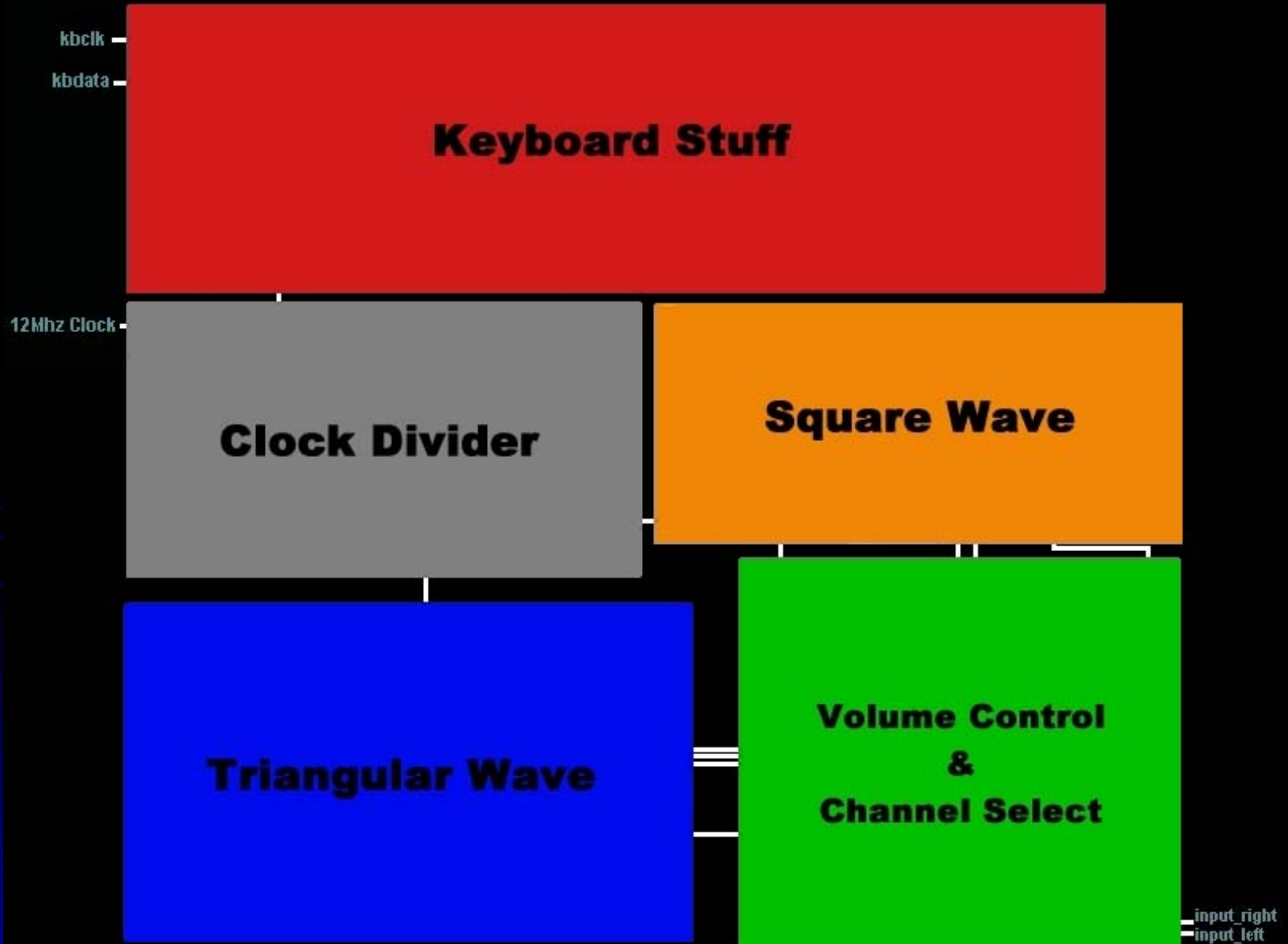
- Triangular Wave



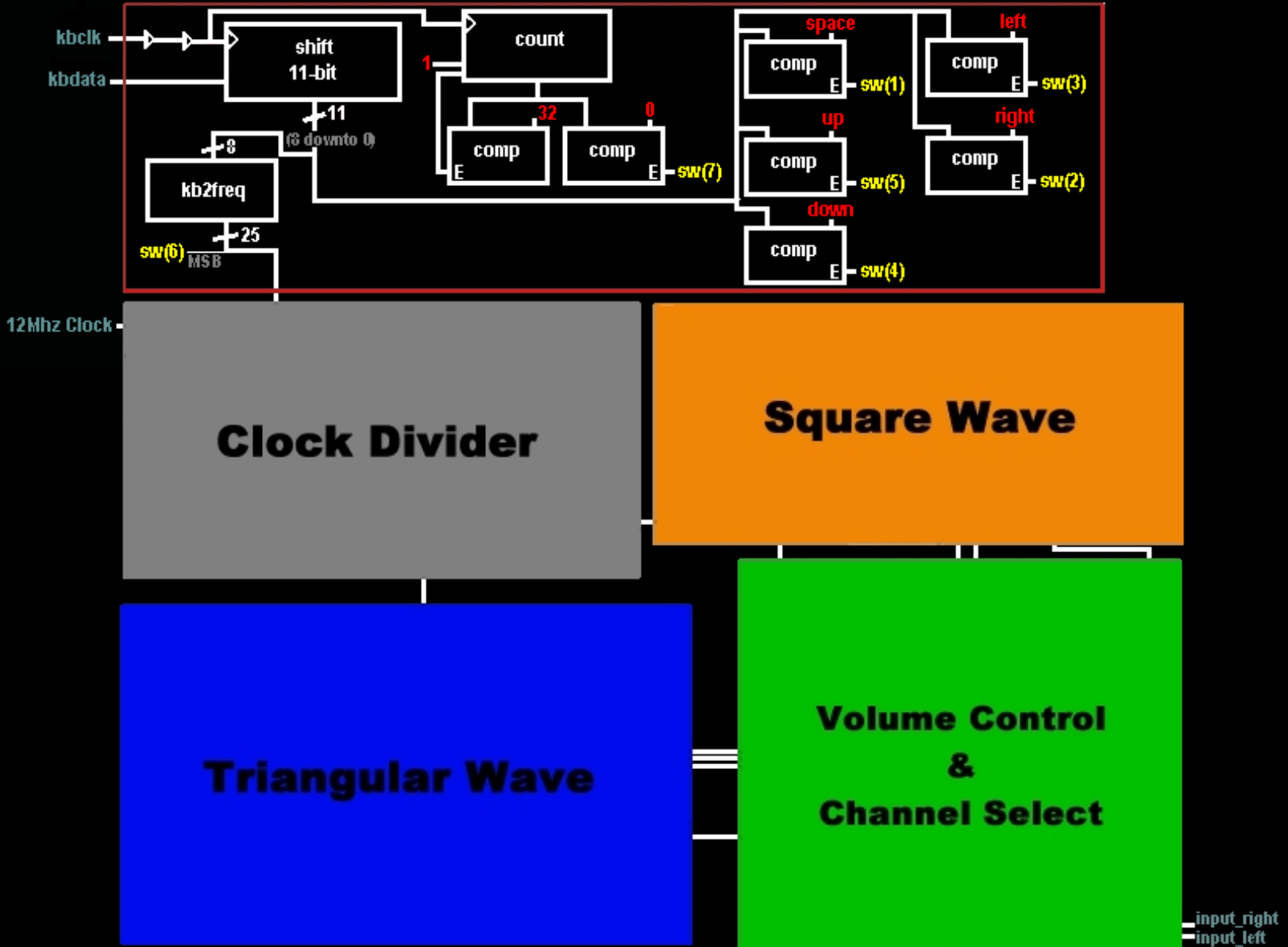
Block Diagram



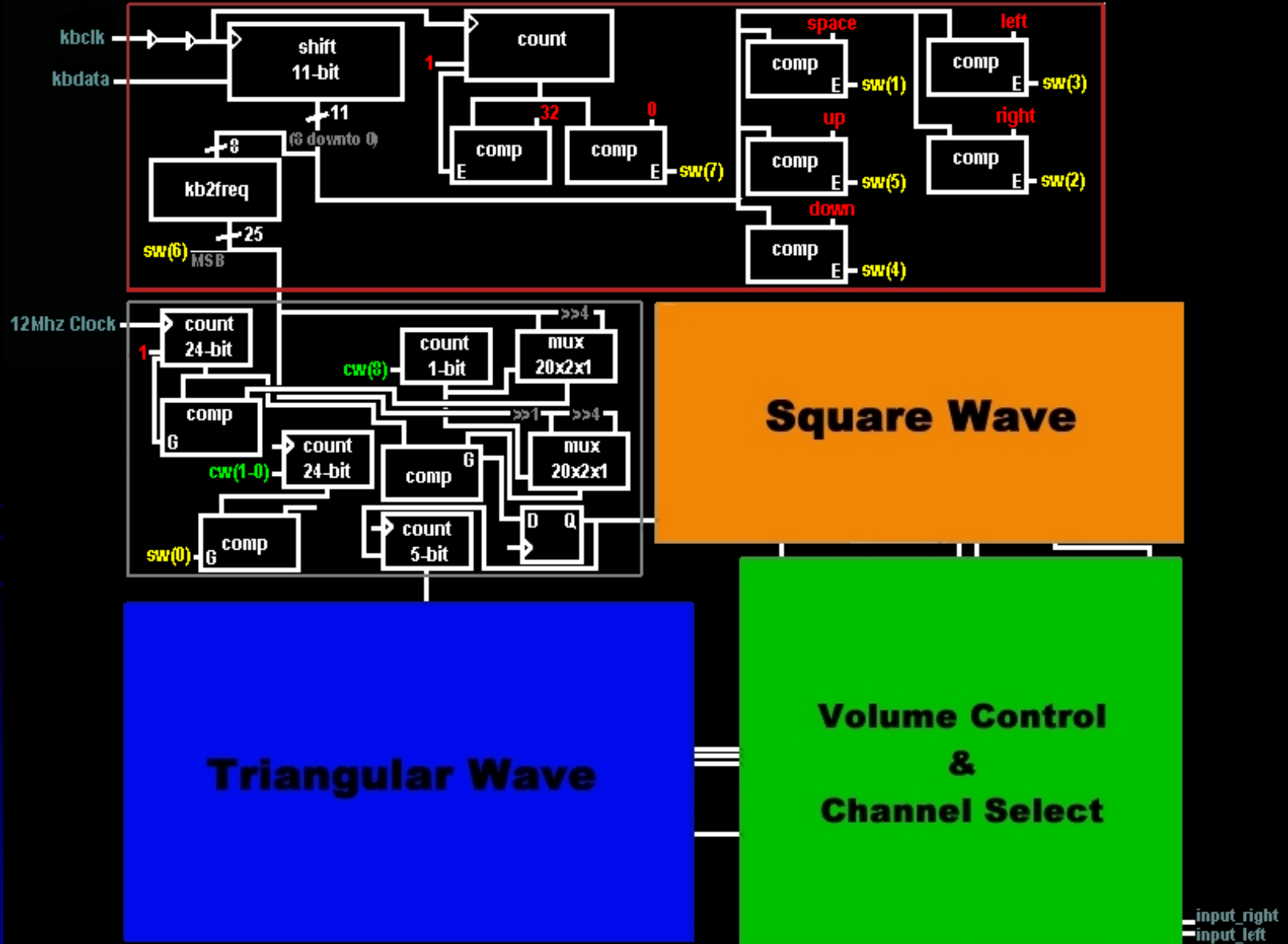
Inside the XStend & XS40 Board



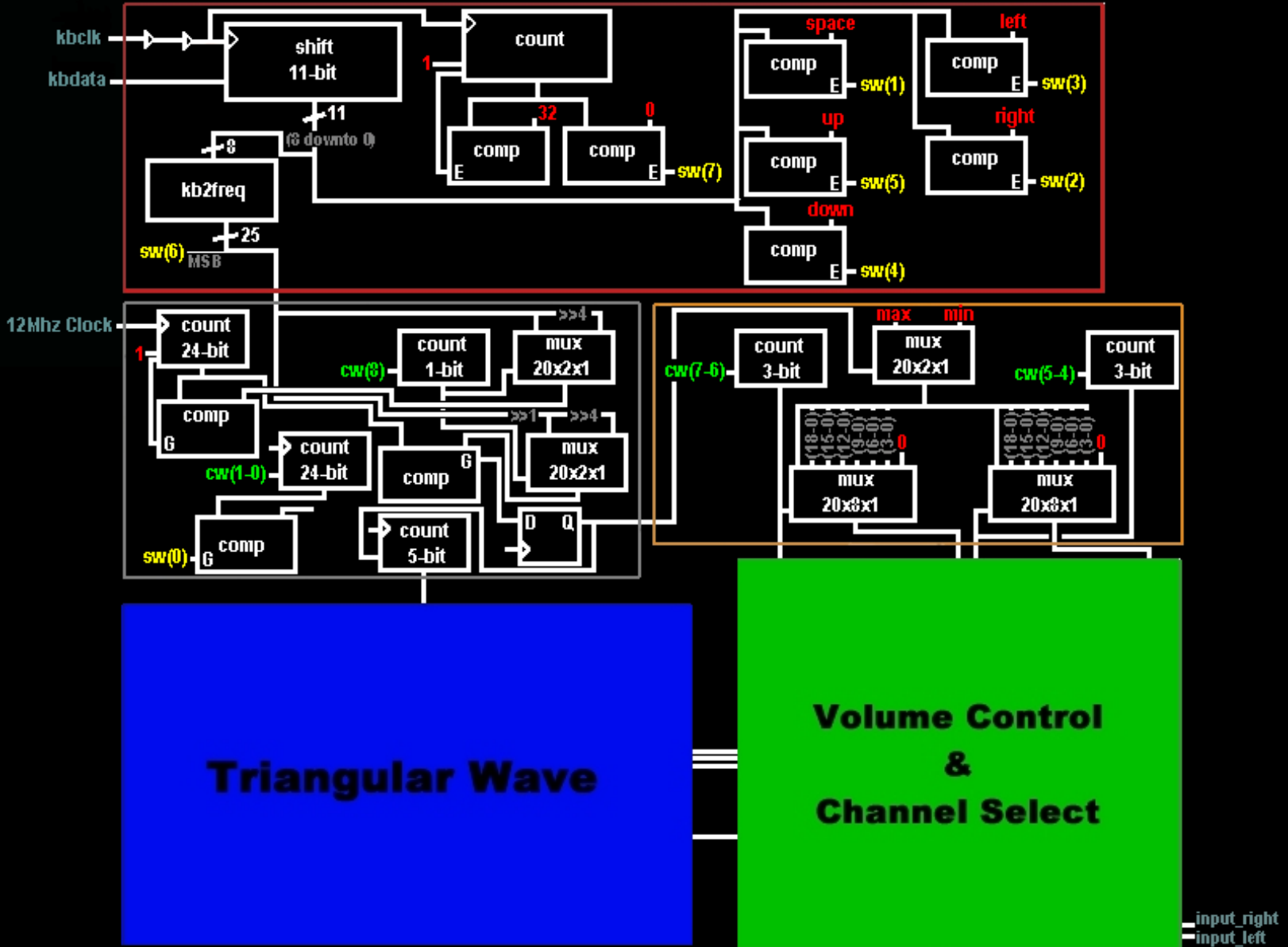
Inside the XStend & XS40 Board



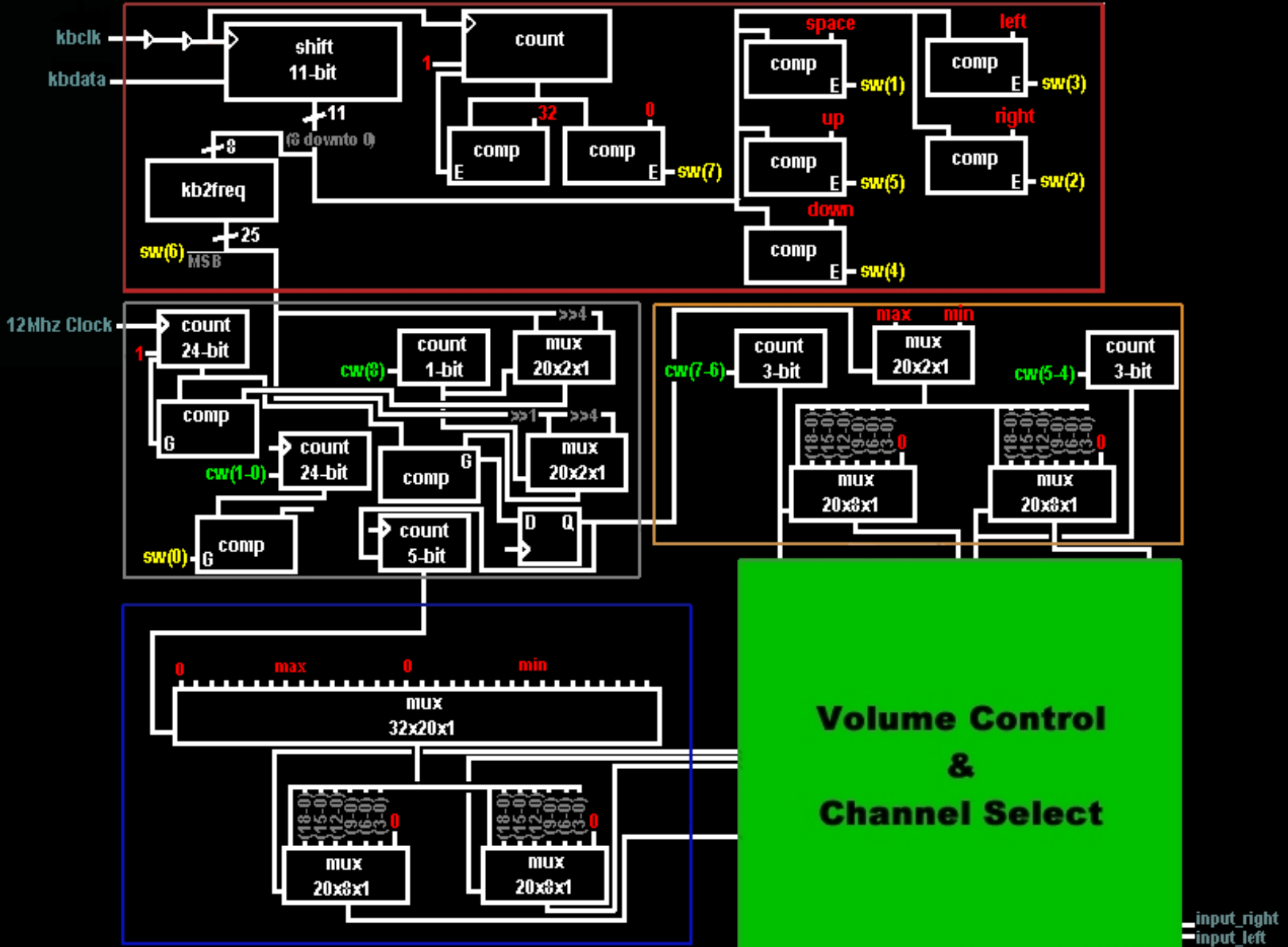
Inside the XStend & XS40 Board



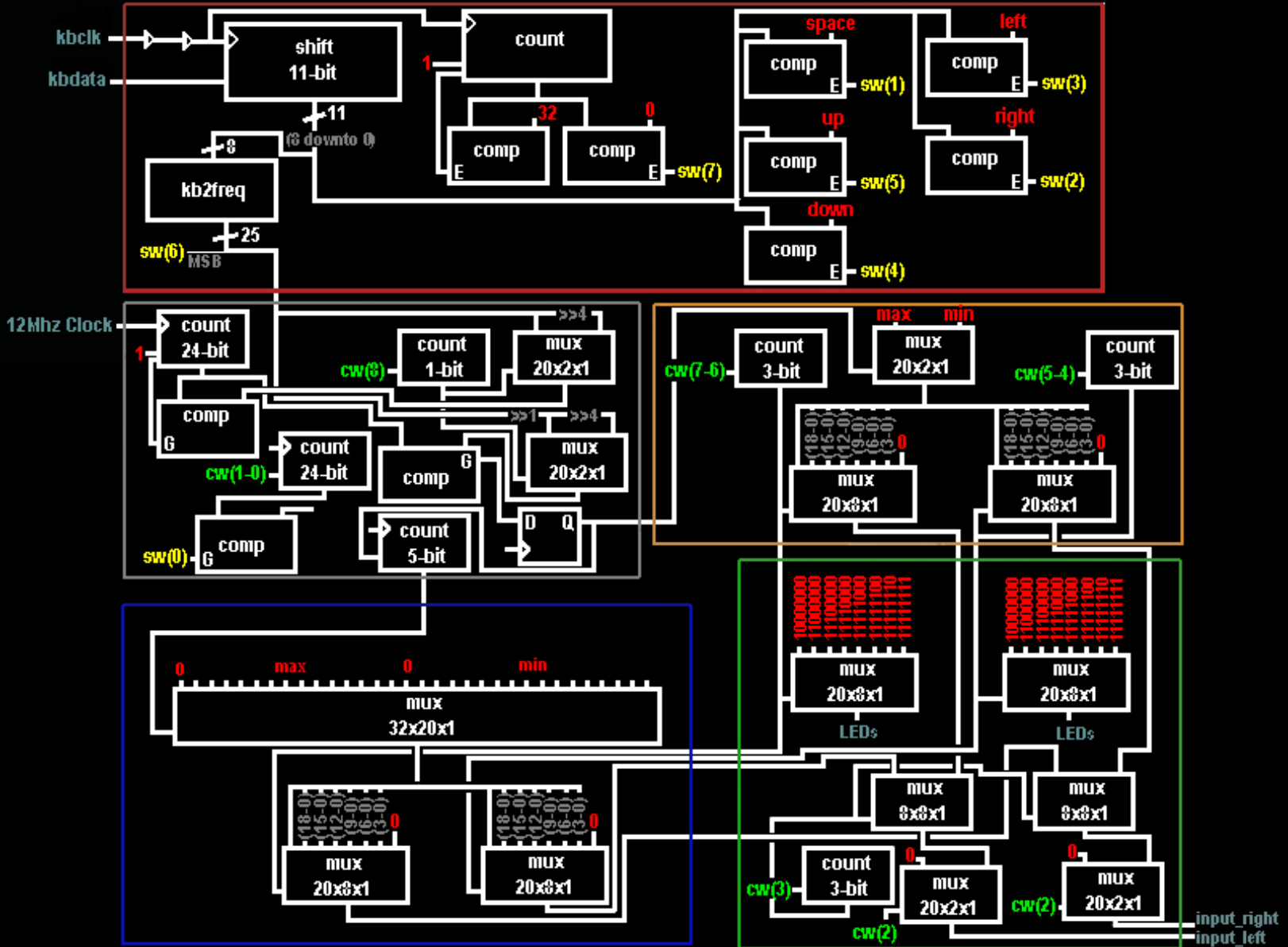
Inside the XStend & XS40 Board



Inside the XStend & XS40 Board

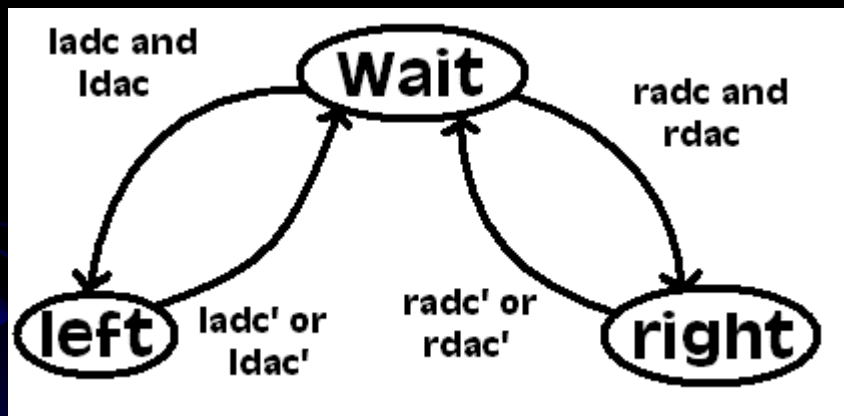


Inside the XStend & XS40 Board

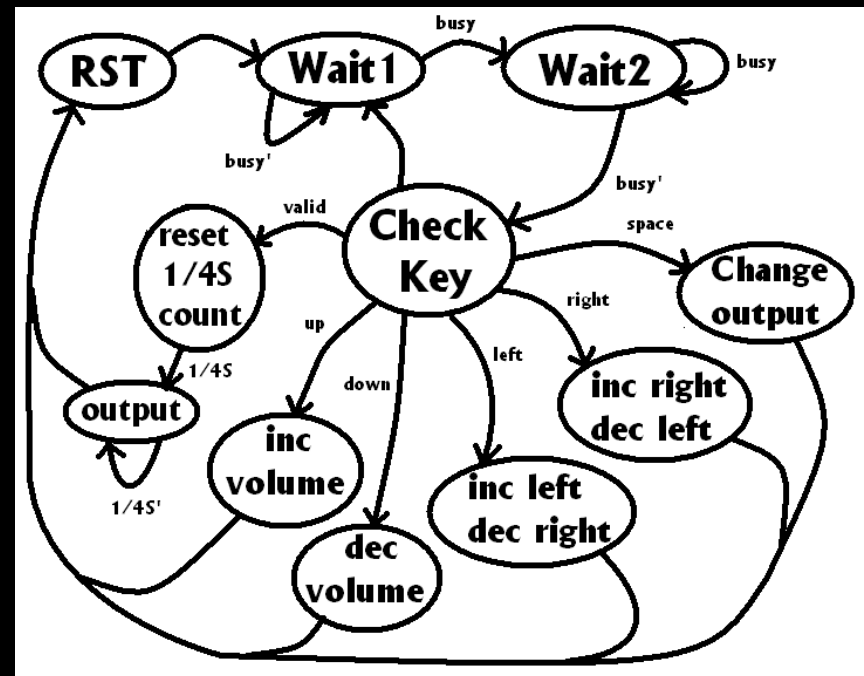


Control Units

- Control Unit for Stereo Codec

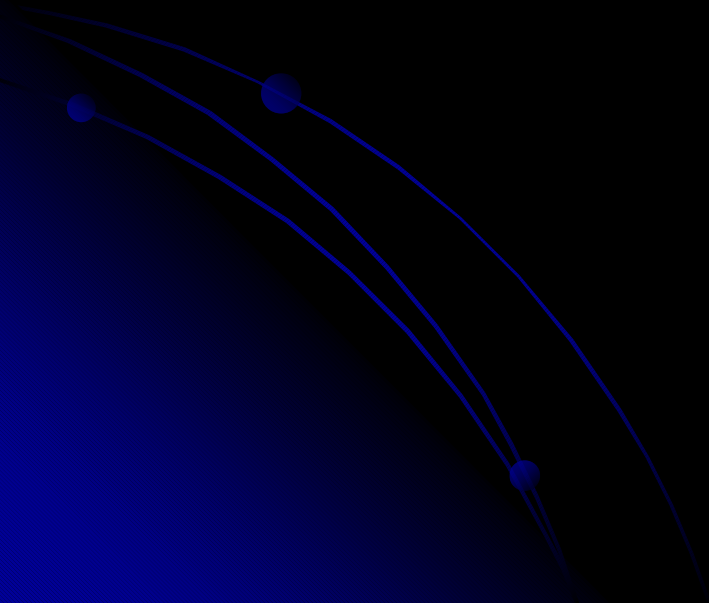


- Control Unit for everything else

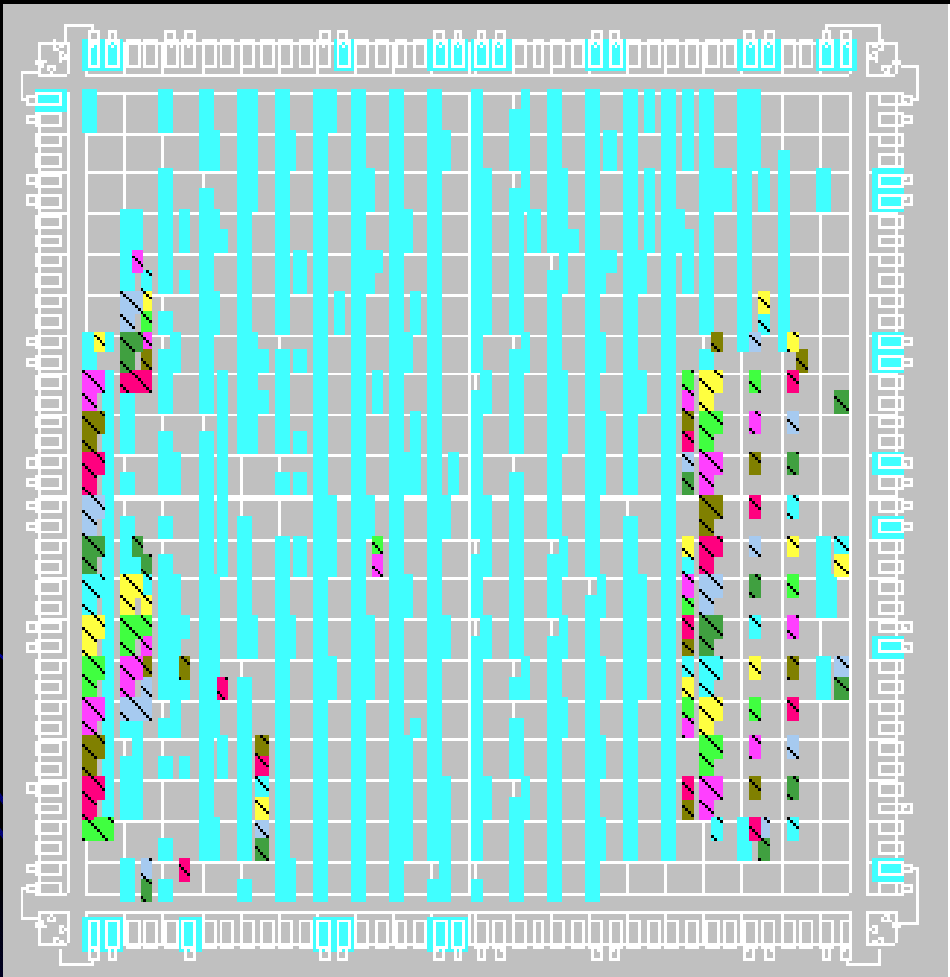


Problems We Encountered

- Busy signal...
 - Gets stuck high randomly



How much of the board did we use?



The End

Any Questions?

